



7012FS FIBER OPTIC SPLICING TRAILER

LENGTH: **204"** WIDTH: **102"** SINGLE AXLE

WEIGHT: **2200lbs** GROUND CLEARANCE: **16"**

SPECIFICATIONS

INTERIOR FEATURES

Composite Shell Construction

- INTELLI-CORE Structural Composite Floor, Walls, and Roof
- Fully Insulated R15 Roof, R11 Floor, and R9 Walls
- Non-Skid, Impact Resistant Flooring
- Non-Organic Construction: NO Mold, NO Rot, NO Mildew

Comfort

- High-Efficiency, Low Profile Roof Mount AC Unit (11 Amps)
- 1500W Electric Wall Heater
- 500W Toe Kick Heater Under Bench
- Digital Heating & Cooking Thermostat
- Roof Vent w/ Reversing Fan

Electrical

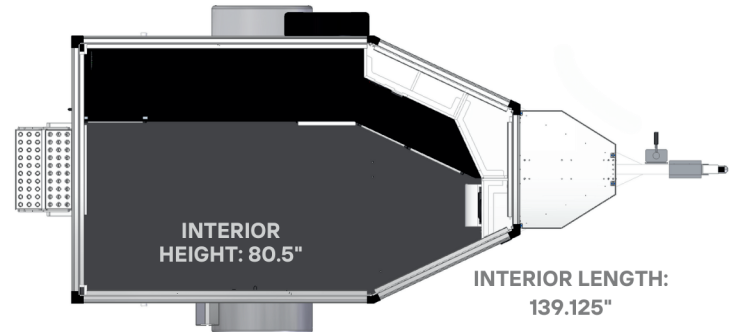
- Bluetooth Capable Unit Control Through Phone App
- Perimeter LED Lighting w/ Dimmer Control; LED Task Lighting
- (4) 110V Outlets, (1) 12V Outlet, (1) Dual USB Charge Port
- 35 Amp Power Center, Battery Gauge, Battery Disconnect Switch
- AM/FM Stereo w/Bluetooth & 75W Premium Marine Speakers
- LP/CO Alarm, Smoke Detector, Fire Extinguisher, First Aid Kit

CORE Exclusive Features

- Lightweight, Waterproof PVC Cabinetry
- Dual Pane Acrylic Windows w/ Built-In Roll-up Screen & Roll-down Darkening Shade System
- CORE Rail Mounting System for Tool Storage

ASK ABOUT OUR OFF-GRID ENERGY SYSTEMS!

INTERIOR WIDTH: 80.25"



EXTERIOR FEATURES

Construction

- Aluminum Alloy All Tube Frame, 360 Welds at Joints
- 15" Aluminum Wheels w/ 205-75R15 Tires & Electric Brakes
- Torsion Axle Suspension w/ EZ Lube Hubs
- Auto Latch Coupler on Adjustable Channel Mount
- 16" Ground Clearance

Electrical

- 30 Amp Generator/Shore Power Plug
- LED Trailer Lighting
- Full Perimeter LED Halo, Rear Work Lights, Front Work Light
- LED Roof Mounted Beacon Lights

Certifications

- NATM Compliance & NFPA and NEC Building Requirements

STANDARD BUILD FEATURES

Interior

- Dent Resistant PVC Cabinetry
- Front Floor to Ceiling Storage Cabinet w/ 3 Shelves
- 42" Base Cabinet w/ 2 x 6" Drawers & 2 Lower Doors
- 20" Tool Chest w/ 2 x 4" Drawers, 1 x 6" Drawer & 2 x 10" Drawer
- 20" Tool Chest w/ 2 x 4" Drawers, 1 x 6" Drawer & 1 Lower Door
- Matte Black Solid Surface Countertop

Exterior

- Spare Tire Carrier w/ Spare Tire & Wheel
- Front Storage Tray/Portable Generator Mount
- Rear Platform & Step

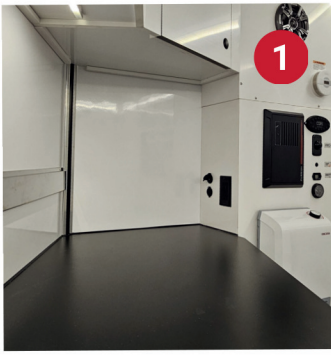


<<< VISIT OUR WEBSITE FOR MORE INFO

www.CORE-PRO.com

INTELLI-CORE, LLC - LITCHFIELD, MN 55355 | 320-298-1600





- 1 Matte Black Phenolic Worksurfaces**
These non-porous, heat-resistant and easy to clean countertops create a durable and sophisticated work surface that's easy to clean.
- 2 Spacious Interiors**
Constructed from composite panels for exceptional strength and durability. Bright LED light illuminates to provide a safe and secure workspace.
- 3 Rear & Access Door**
Provides convenient access to fiber optic cables for splicing, maintenance, etc. Helps keep the air temperature regulated for a more comfortable area while you work.
- 4 CORE Rail Mounting System**
Our CORE Rail mounting system was designed to streamline your setup for a more efficient and organized workspace. Keep your tools and essentials within easy reach.
- 5 Premium PVC Cabinetry**
Waterproof high-quality PVC cabinetry designed and created in-house with seamless slides and latch lock turn knobs to keep your gear in place while on the go.

ADDITIONAL BUILD OPTIONS

Interior

- Driver's Side Overhead Storage (3' Open Shelf; 6' Cabinet' 3' Open Shelf)
- Passenger Side Base Cabinets & Countertop w/ Flip Up Cross Trailer Countertop
 - 36" Base Cabinet w/ 2 Drawers & 2 Doors
 - 20" Tool Chest w/ 2 x 4" Drawers, 1 x 6" Drawer & 2 x 10" Drawers
- Passenger Side Overhead Storage (3' Open Shelf' 2' Cabinet; 3' Open Shelf)

Exterior

- Additional Entry Door w/ Cable Access Door
- Cable Access Door, Standalone
- Rear Stabilizer Jacks (Pipe Mount Pair)

OFF-GRID ENERGY SYSTEMS

- Base Spec: 10.2kWh Lithium Battery Pack, 4kW Inverter, 360W Solar Array
- Add 5.1kWh Battery Pack (Can add 2 additional)
- Max Solar Pkg: Increase to 660W Solar Array

REQUIRE A GENERATOR

Whether you prefer a portable generator or the convenience of a hand mounted generator, we have the right solution for you...

- Honda 7000 EUiS
- Cummins Portable P2500i w/ Remote Start (Gasoline)
- Cummins Portable P4500i w/ Remote Start (Gasoline)
- Cummins Onan QG 2800 EFI (Gasoline)
- Cummins Onan QG 4000 (Gasoline)
- Cummins Onan Q6 5500 EFI (Gasoline)
- NPS Y4500 ECO (Gasoline)
- NPS Y5500 ECO (Gasoline)

OPTIONAL FEATURES

Electrical

- Additional Interior/Exterior 110V Outlets
- Additional Dual Port USB Charger & 12V Charge Port
- 6" Wall Vent w/ Electric Fan
- Dual Battery Kit: mount, disconnect switch & wiring
- Front /Rear Traffic Advisor Warning Light
- 8 Surface Mount LED Strobes w/ Adjustable Pattern Mounted on Each Wall

Other

- Additional Window (30" x 24")
- Floor Access Hatch (approx. 27" x 42")

CORE Rail Accessories

- Dozens to choose from

FOR MORE INFO EMAIL US: INFO@INTELLI-CORE.COM



<- SCAN TO VIEW WEBSITE

WWW.CORE-PRO.com

INTELLI-CORE, LLC - LITCHFIELD, MN 55355 | 320-298-1600

